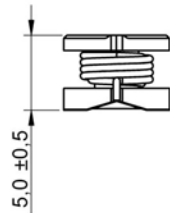
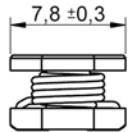
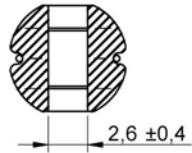


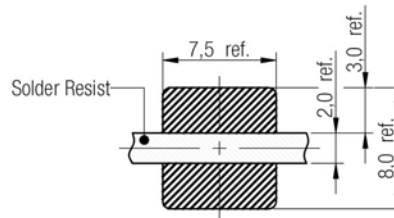
A Dimensions: [mm]



Scale - 2:1

Reference on drawing	Description
•	Start of winding
Marking	6R8 (Inductance Code)

B Recommended land pattern: [mm]



no vias and traces in restricted area

Scale - 2:1

C Schematic:



D Electrical Properties:

Properties	Test conditions		Value	Unit	Tol.
Inductance	10 KHz/ 100 mV	L	6.8	μH	±20%
Rated Current	ΔT = 40 K	I _R	3.7	A	max.
Saturation Current	IΔL/L < 10%	I _{sat}	3.8	A	typ.
DC Resistance	@ 20°C	R _{DC}	0.026	Ω	max.
DC Resistance	@ 20°C	R _{DC}	0.022	Ω	typ.
Self Resonant Freq.	@ 20°C	f _{res}	30	MHz	typ.
Rated Voltage	@ 20°C	U _R	80	V _{DC}	max.

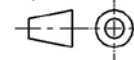
E General information:

It is recommended that the temperature of the part does not exceed 125°C under worst case operating conditions.

- Ambient temperature: -40°C to +85°C (referring to I_R)
- Operating temperature: -40°C to +125°C
- Storage temperature (on tape & reel): -20°C to +40°C; 75% RH max.
- Coplanarity of the terminal pads: 120μm
- Test conditions of Electrical Properties: 20°C, 33% RH
- AEC-Q 200 qualified



Projection



2015-01-07

Shaanxi FKS Electronic Parts Import&Export Co.,Ltd.
 FKS(Xi'an) Electronic Technology Co.,Ltd.
 Address: B1 Building,Western Cloud Valley,Fengxi New Town
 Xixian New Area,Xi'an City, Shaanxi Province,China.
 Tel: +86-29-8868 5333
 Fax: +86-29-8868 0913



DESCRIPTION

SMD Power Inductor

Order.- No.

FKS784775068



SIZE

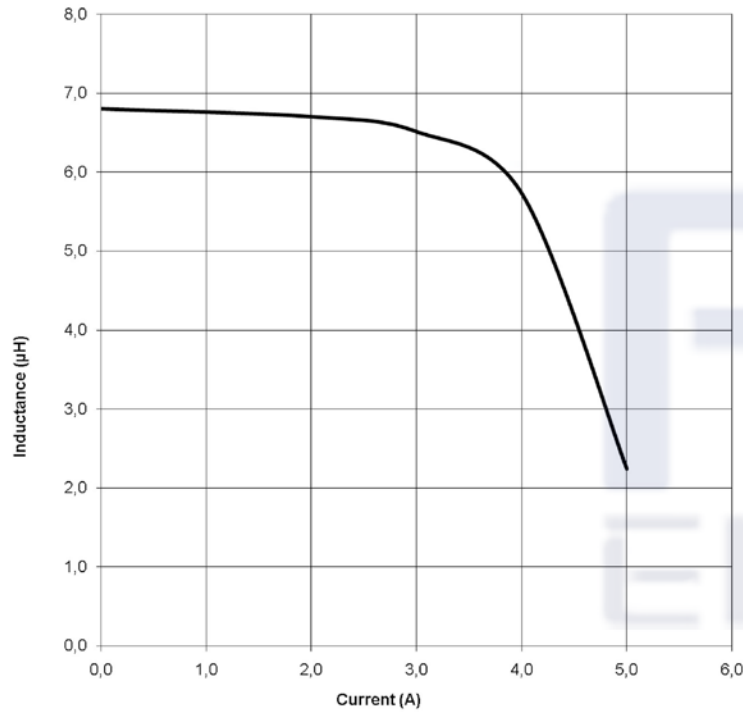
A4

DATE

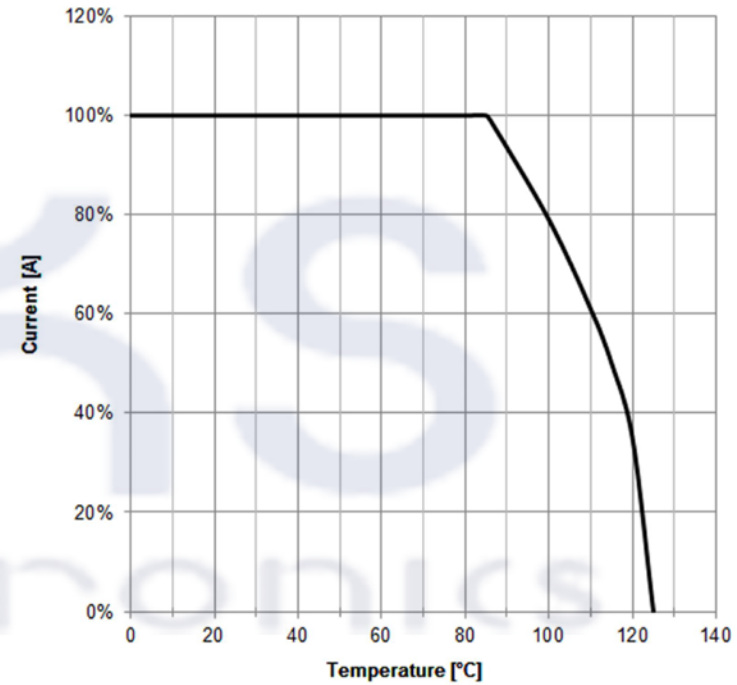
Size: 7850



F1 Typical Inductance vs. Current Characteristics:



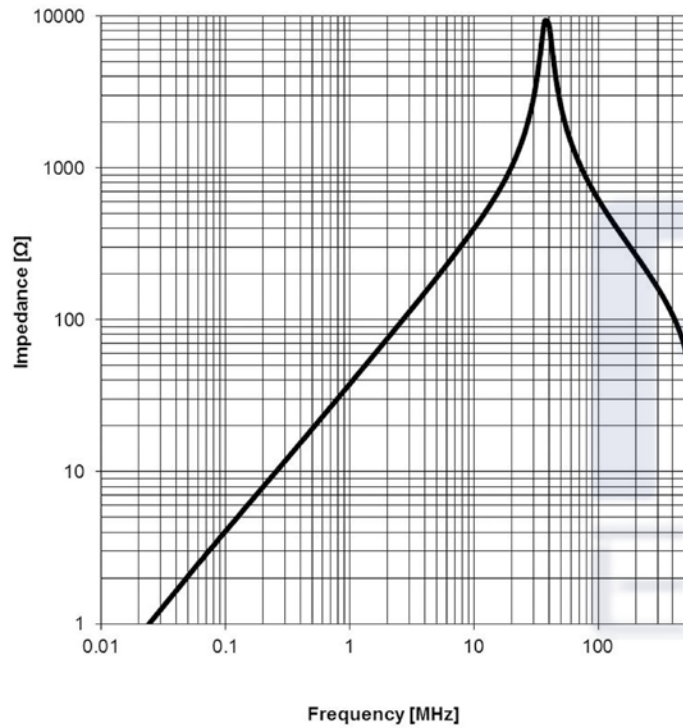
F2 Derating Curve:



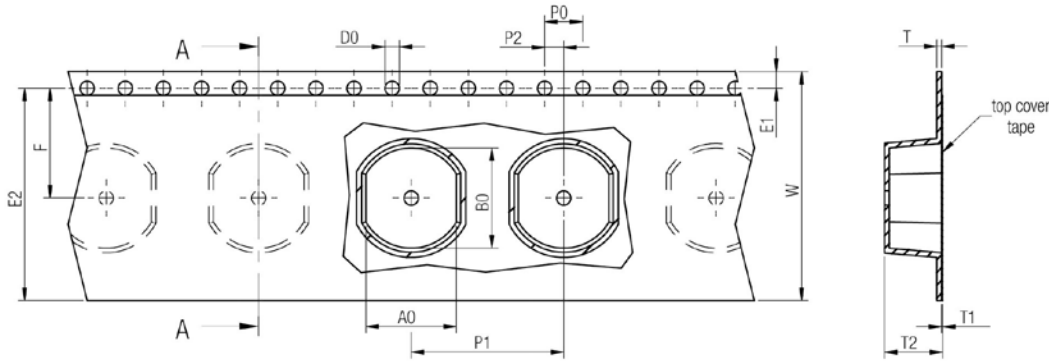
				Projection 	DESCRIPTION		
2.3	2015-01-07	SSt	BMoe		WE-PD2A SMD Power Inductor		
2.2	2014-05-19	SSt	BMoe				
2.1	2014-03-12	SSt	BMoe	Shaanxi FKS Electronic Parts Import&Export Co., Ltd. FKS(Xi'an) Electronic Technology Co., Ltd. Address: B1 Building, Western Cloud Valley, Fengxi New Town Xixian New Area, Xi'an City, Shaanxi Province, China. Tel: +86-29-8888 5333 Fax: +86-29-8888 0913 	Order.- No.		SIZE
2.0	2014-02-03	SSt	BMoe		FKS784775068		A4
1.7	2013-12-05	SSt	BMoe				
1.6	2013-10-10	SSt	BMoe				
1.5	2013-04-10	SSt	SSt				
REV	DATE	BY	CHECKED			Size: 7850	



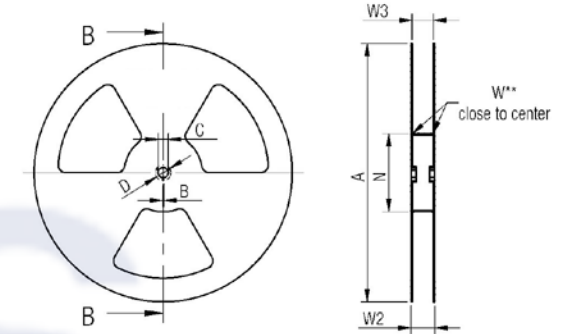
F3 Typical Impedance Characteristics:



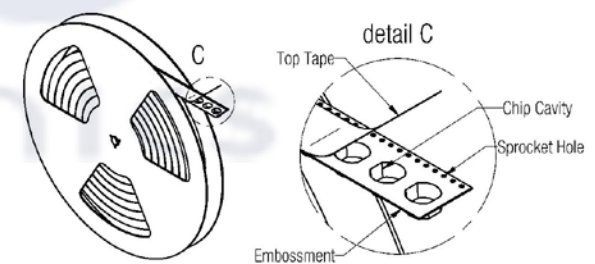
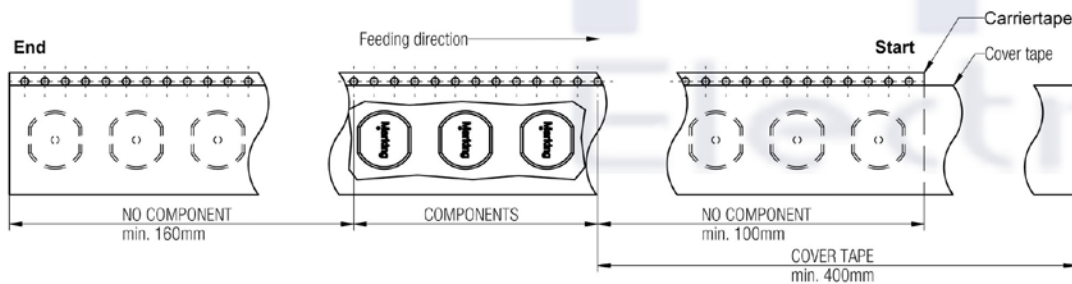
				Projection 	DESCRIPTION SMD Power Inductor	
	2015-01-07					
				Shaanxi FKS Electronic Parts Import&Export Co.,Ltd. FKS(Xi'an) Electronic Technology Co.,Ltd. Address: B1 Building,Western Cloud Valley,Fengxi New Town Xixian New Area,Xi'an City, Shaanxi Province,China. Tel: +86-29-8868 5333 Fax: +86-29-8868 0913 	Order.- No. FKS784775068 	SIZE A4
	DATE		CHECKED		Size: 7850	



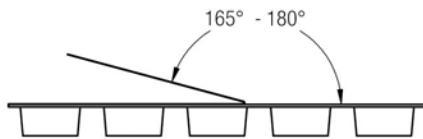
size	tolerance		A0	B0	W	P1	T	T1	T2	D0	E1	E2	F	P0	P2	VPE / packaging unit
	typ.	typ.	typ.	typ.	typ.	typ.	typ.	typ.	typ.	typ.	typ.	typ.	typ.	typ.	typ.	
4532	4.50	5.50	16,00	8,00	0,25	0,10	4,00	1,50	1,75	14,25	7,50	4,00	2,00	1500		
5848	5.50	6.50	16,00	8,00	0,25	0,10	5,50	1,50	1,75	14,25	7,50	4,00	2,00	1500		
7850	7.50	8.50	16,00	12,00	0,25	0,10	6,00	1,50	1,75	14,25	7,50	4,00	2,00	500		
1054	9.50	10.50	24,00	16,00	0,50	0,10	7,00	1,50	1,75	22,25	11,50	4,00	2,00	500		



tolerance	A	B	C	D	N	W1	W2	W3	W3
	min.	min.	± 0.8 min.	min.	min.	+ 1.5 max.	min.	max.	max.
Tape width 16 mm	330,00	1.50	13,00	20,20	100,00	16,40	22,40	15,90	19,40
Tape width 24 mm	330,00	1.50	13,00	20,20	100,00	24,40	30,40	23,90	27,40



Packaging is referred to the international standard IEC 60286 -3:2007



Tape width	Pull-of force	
	16 mm	0,1 N - 1,3 N
24 mm	0,1 N - 1,3 N	

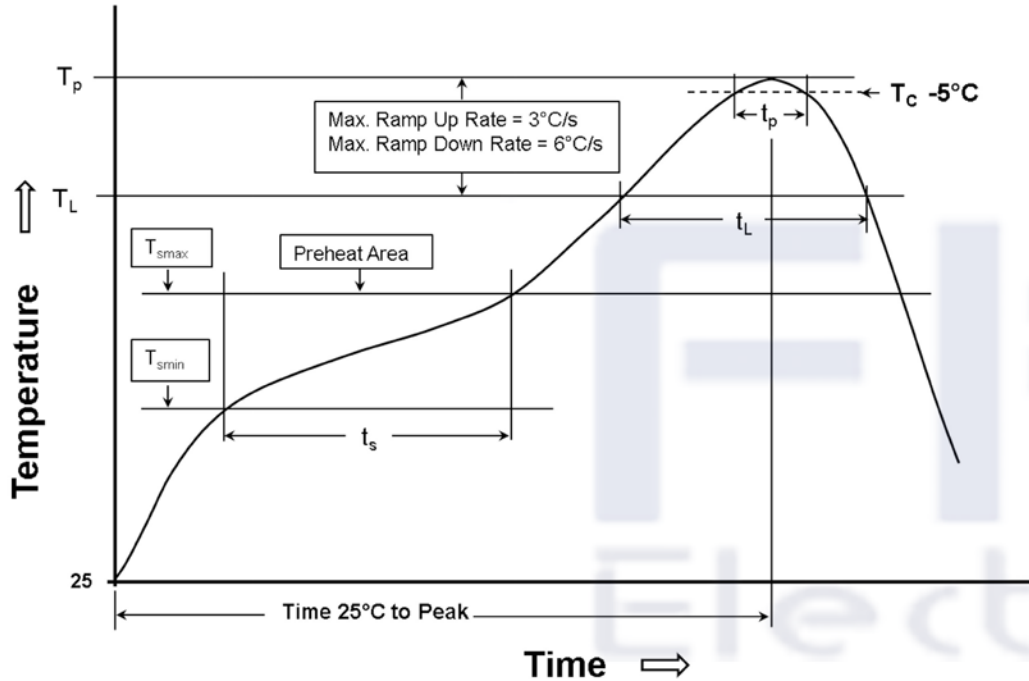
2015-01-07	BMoe	Projection	DESCRIPTION
Shaanxi FKS Electronic Parts Import&Export Co., Ltd. FKS(Xi'an) Electronic Technology Co., Ltd. Address: B1 Building, Western Cloud Valley, Fengxi New Town Xixian New Area, Xi'an City, Shaanxi Province, China. Tel: +86-29-8888 5333 Fax: +86-29-8888 0913			SMD Power Inductor
DATE	CHECKED	Order.- No. FKS784775068	
		Size: 7850	SIZE A4





H Soldering Specifications:

H1: Classification Reflow Profile for SMT components:



H2: Classification Reflow Profiles

Profile Feature	Pb-Free Assembly	Sn-Pb Assembly
Preheat - Temperature Min (T_{smin}) - Temperature Max (T_{smax}) - Time (t_s) from (T_{smin} to T_{smax})	150°C 200°C 60-120 seconds	100°C 150°C 60-120 seconds
Ramp-up rate (T_L to T_p)	3°C/ second max.	3°C/ second max.
Liquidous temperature (T_L) Time (t_L) maintained above T_L	217°C 60-150 seconds	183°C 60-150 seconds
Peak package body temperature (T_p)	See Table H3	See table H3
Time within 5°C of actual peak temperature (t_p)	30 seconds	20 seconds
Ramp-down rate (T_p to T_L)	6°C/ second max.	6°C/ second max.
Time 25°C to peak temperature	8 minutes max.	6 minutes max.

refer to IPC/JEDEC J-STD-020D

H3: Package Classification Reflow Temperature

	Package Thickness	Volume mm ³ <350	Volume mm ³ >350	Volume mm ³ 350 - 2000	Volume mm ³ >2000
PB-Free Assembly	< 1.6 mm	260°C		260°C	260°C
PB-Free Assembly	1.6 - 2.5 mm	260°C		250°C	245°C
PB-Free Assembly	> 2.5 mm	250°C		245°C	245°C
Sn-Pb Assembly	< 2.5 mm	235°C	220°C		
Sn-Pb Assembly	≥ 2.5 mm	220°C	220°C		

2015-01-07	Projection 	DESCRIPTION SMD Power Inductor
	Shaanxi FKS Electronic Parts Import&Export Co.,Ltd. FKS(Xi'an) Electronic Technology Co.,Ltd. Address: B1 Building,Western Cloud Valley,Fengxi New Town Xixian New Area,Xi'an City, Shaanxi Province,China. Tel: +86-29-8868 5333 Fax: +86-29-8868 0913 	Order.- No. FKS784775068
DATE		SIZE A4
		Size: 7850