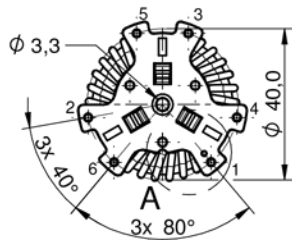
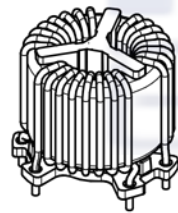
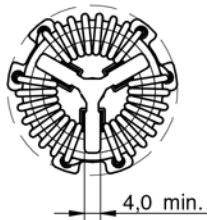
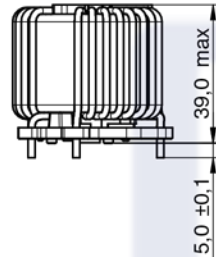
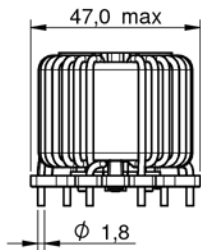
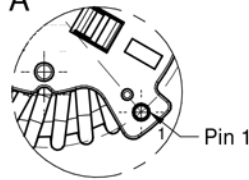


**Dimensions: [mm]**

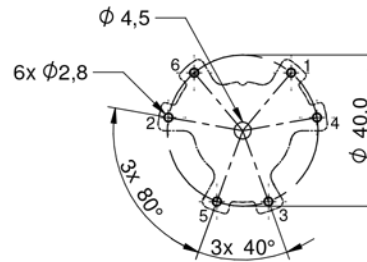


detail A



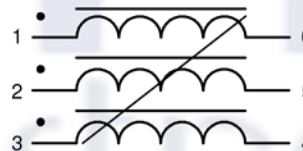
Scale - 1:2

**Recommended Hole Pattern: [mm]**



Scale - 1:2

**Schematic:**



**Electrical Properties:**

Properties		Test conditions	Value	Unit	Tol.
Number of windings	N		3		
Inductance	L	10 kHz/ 0.1 mA	1.1	mH	±30%
DC Resistance	R <sub>DC</sub>	@ 20 °C	7	mΩ	max.
Rated Current	I <sub>R</sub>	@ 70 °C	18	A	max.
Rated Voltage	V <sub>R</sub>	50 Hz	500	V (AC)	max.
Insulation Test Voltage	V <sub>T</sub>	50 Hz/ 5 mA/ 2 sec.	2500	V (AC)	

**Certification:**

RoHS Approval	Compliant [ 2011/65/EU&2015/863 ]
REACH Approval	Conform or declared [ (EC)1907/2006 ]
Halogen Free	Conform [ JEDEC JS709B ]
Halogen Free	Conform [ IEC 61249-2-21 ]

**General Information:**

It is recommended that the temperature of the component does not exceed +125 °C under worst case conditions	
Operating Temperature	-40 up to +125 °C
Storage Conditions (in original packaging)	< 40 °C ; < 75 % RH
Moisture Sensitivity Level (MSL)	1
Temperature Rise < 55 K	
Due to heavy weight, we recommend to fix the component on PCB (1.6 mm thickness) with a self tapping screw: 4.2*x19	
Test conditions of Electrical Properties: +20 °C, 33 % RH if not specified differently	

**Product Marking:**

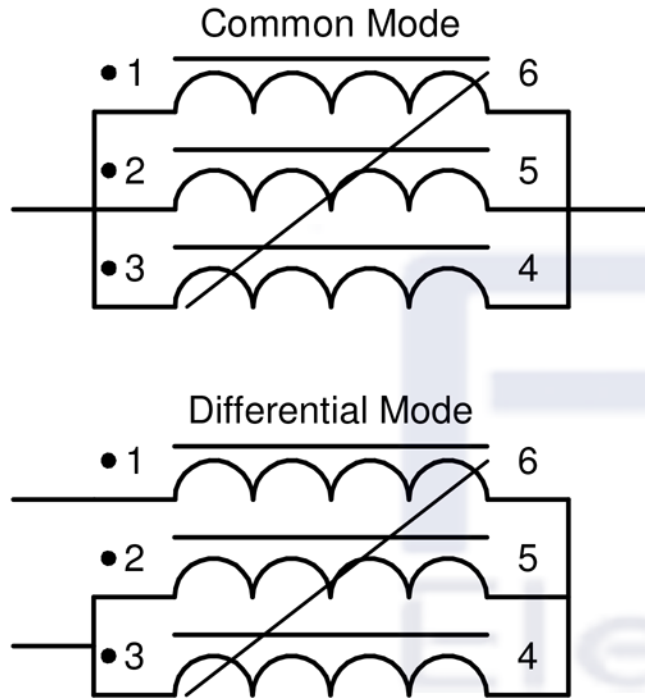
Marking	744833011180
---------	--------------



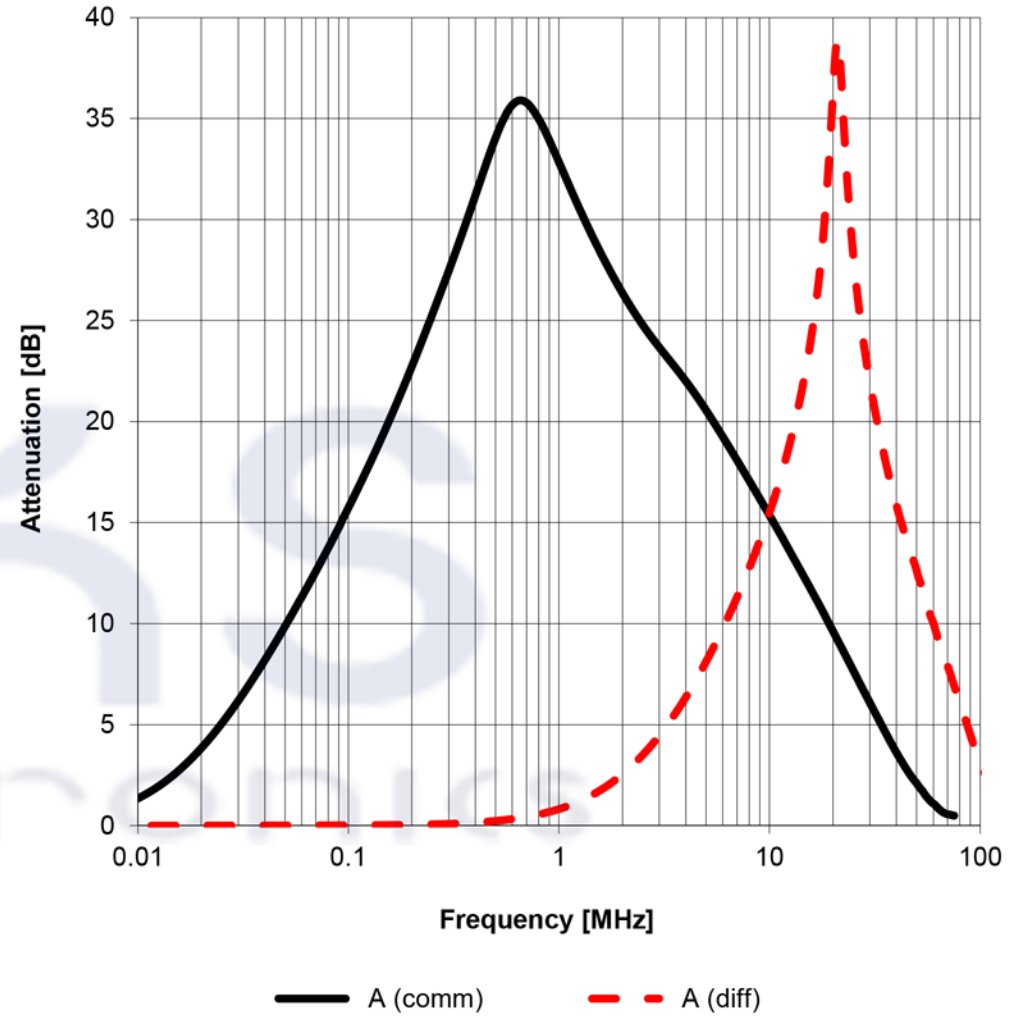
Shaanxi FKS Electronic Parts Import&Export Co.,Ltd.  
 Address:Building B1,The West Cloud Valley, Fengxi New City,  
 Xixian New Area,Xianyang City,Shaanxi Province,China.  
 Tel:0086 29 8868 5333 Fax:0086 29 8868 0913  
[Http://www.fks-tech.com](http://www.fks-tech.com)

DATE (YYYY-MM-DD)	2019-04-08	GENERAL TOLERANCE	DIN ISO 2768-1m	PROJECTION METHOD	
DESCRIPTION		<b>Three Phase Common Mode Power Line Choke</b>		ORDER CODE	
				<b>FKS744833011180</b>	
SIZE/TYPE	3XL	STATUS	Valid		

**Test Setup:**

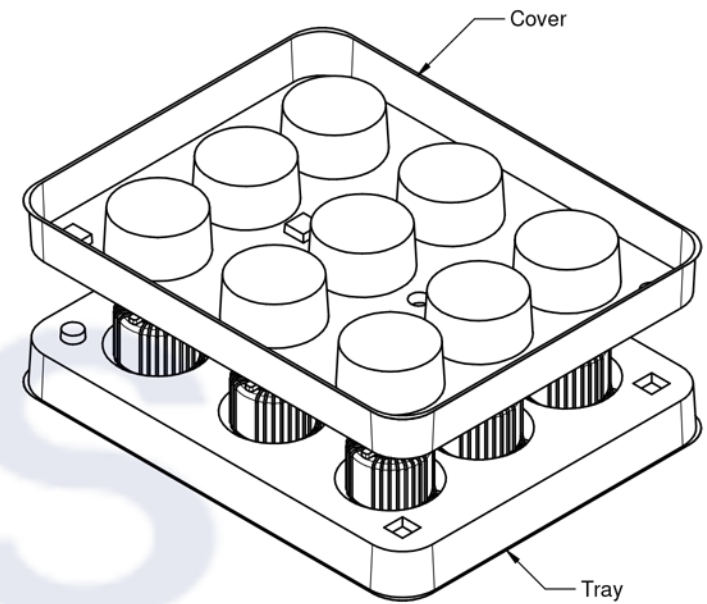
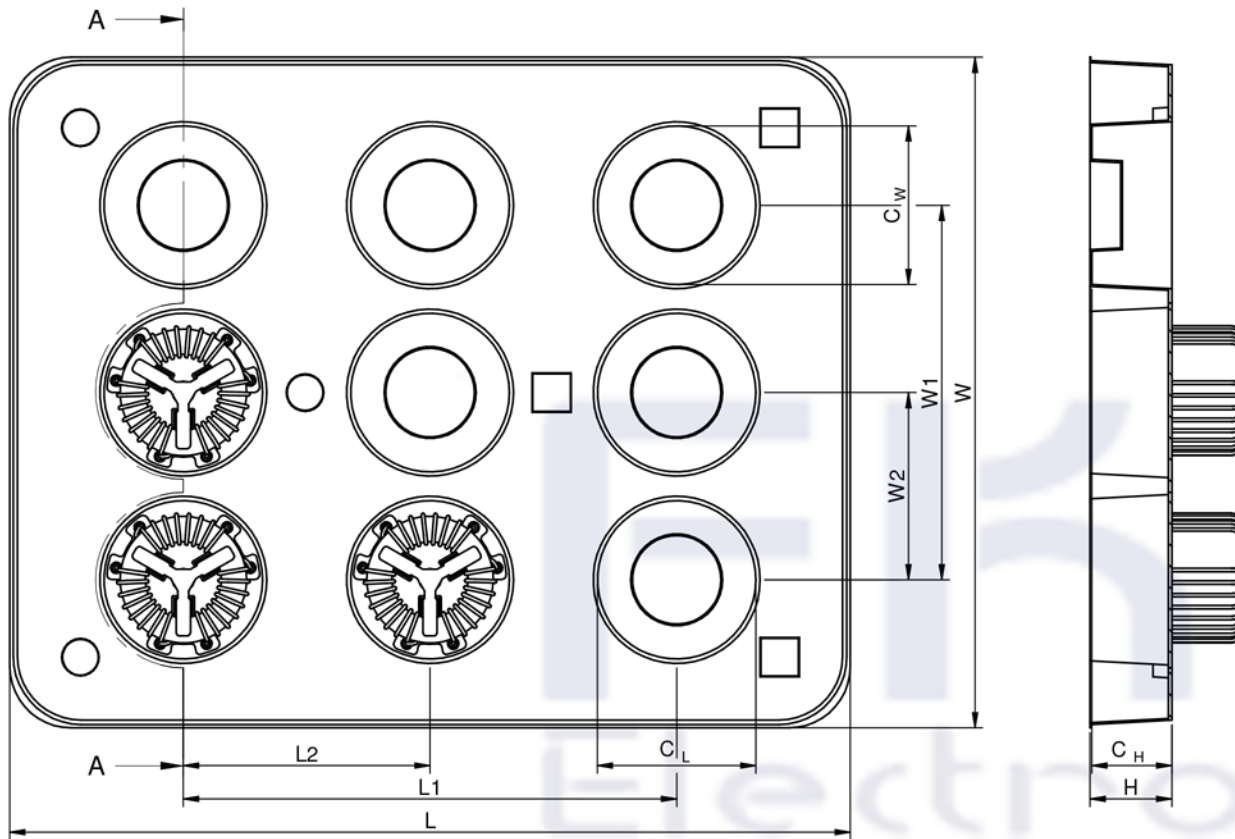


**Typical Insertion Loss:**



	DATE (YYYY-MM-DD) 2019-04-08	GENERAL TOLERANCE DIN ISO 2768-1m	PROJECTION METHOD 
	<b>Three Phase Common Mode Power Line Choke</b>		ORDER CODE <b>FKS744833011180</b>
	Shaanxi FKS Electronic Parts Import&Export Co.,Ltd. Address:Building B1,The West Cloud Valley, Fengxi New City, Xixian New Area,Xianyang City,Shaanxi Province,China. Tel:0086 29 8868 5333 Fax:0086 29 8868 0913 <a href="http://www.fks-tech.com">Http://www.fks-tech.com</a>	SIZE/TYPE 3XL	STATUS Valid

**Packaging Specification - Tray and Carton: [mm]**



L (mm)	L1 (mm)	L2 (mm)	C <sub>L</sub> (mm)	W (mm)	W1 (mm)	W2 (mm)	C <sub>W</sub> (mm)	H (mm)	C <sub>H</sub> (mm)	Qty. (pcs.)	Material
typ.	typ.	typ.	typ.	typ.	typ.	typ.	typ.	typ.	typ.		
245,00	145,00	72,50	46,50	195,00	110,00	55,00	46,50	24,00	23,50	9	PET

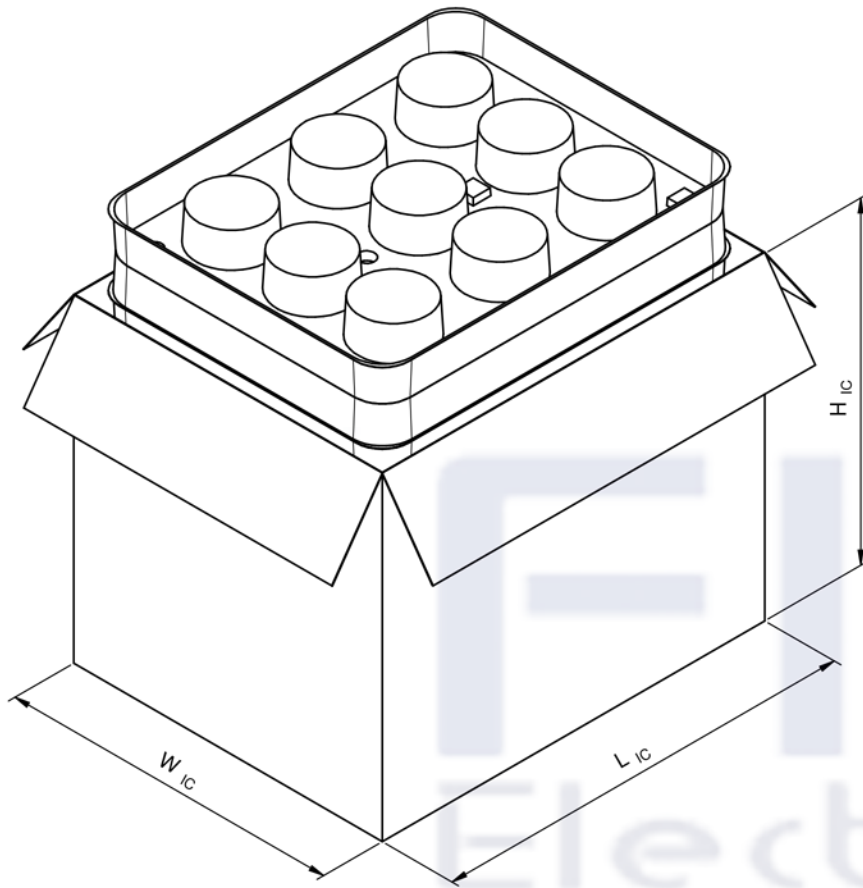


**FKS**  
Electronics

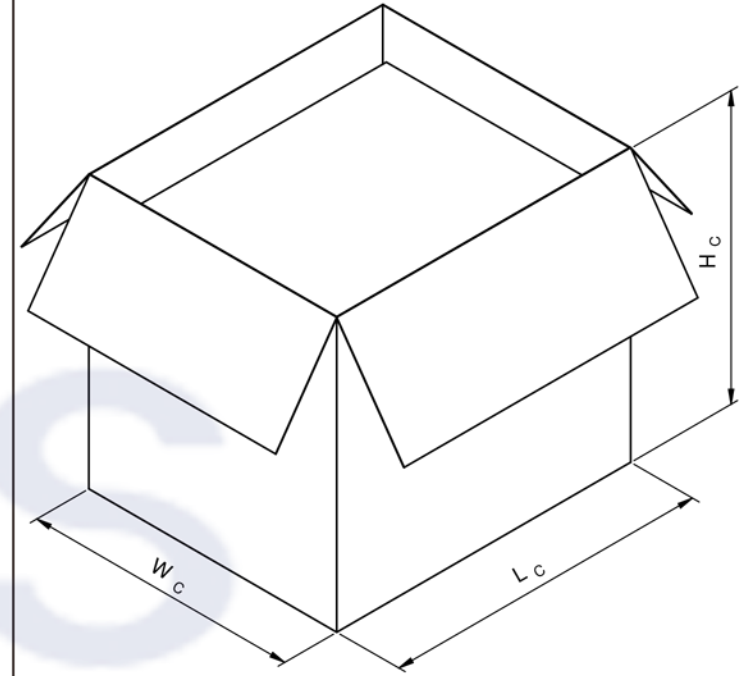


Shaanxi FKS Electronic Parts Import&Export Co.,Ltd.  
Address:Building B1,The West Cloud Valley, Fengxi New City,  
Xixian New Area,Xianyang City,Shaanxi Province,China.  
Tel:0086 29 8868 5333 Fax:0086 29 8868 0913  
[Http://www.fks-tech.com](http://www.fks-tech.com)

	DATE (YYYY-MM-DD) 2019-04-08	GENERAL TOLERANCE DIN ISO 2768-1m	PROJECTION METHOD 
DESCRIPTION <b>Three Phase Common Mode Power Line Choke</b>		ORDER CODE <b>FKS744833011180</b>	
SIZE/TYPE 3XL		STATUS Valid	



L <sub>IC</sub> (mm)	W <sub>IC</sub> (mm)	H <sub>IC</sub> (mm)	No. of Tray	Packaging Unit	Material
typ.	typ.	typ.	pcs.	pcs.	
260	210	217	4	36	Paper



L <sub>C</sub> (mm)	W <sub>C</sub> (mm)	H <sub>C</sub> (mm)	No. of Inner Carton	Packaging Unit	Material
typ.	typ.	typ.	pcs.	pcs.	
275	232	255	1	36	Paper



**FKS**  
Electronics

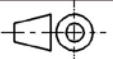


Shaanxi FKS Electronic Parts Import&Export Co.,Ltd.  
Address:Building B1,The West Cloud Valley, Fengxi New City,  
Xixian New Area,Xianyang City,Shaanxi Province,China.  
Tel:0086 29 8868 5333 Fax:0086 29 8868 0913  
[Http://www.fks-tech.com](http://www.fks-tech.com)

DATE (YYYY-MM-DD)  
2019-04-08

GENERAL TOLERANCE  
DIN ISO 2768-1m

PROJECTION  
METHOD



DESCRIPTION

**Three Phase Common  
Mode Power Line Choke**

ORDER CODE

**FKS744833011180**

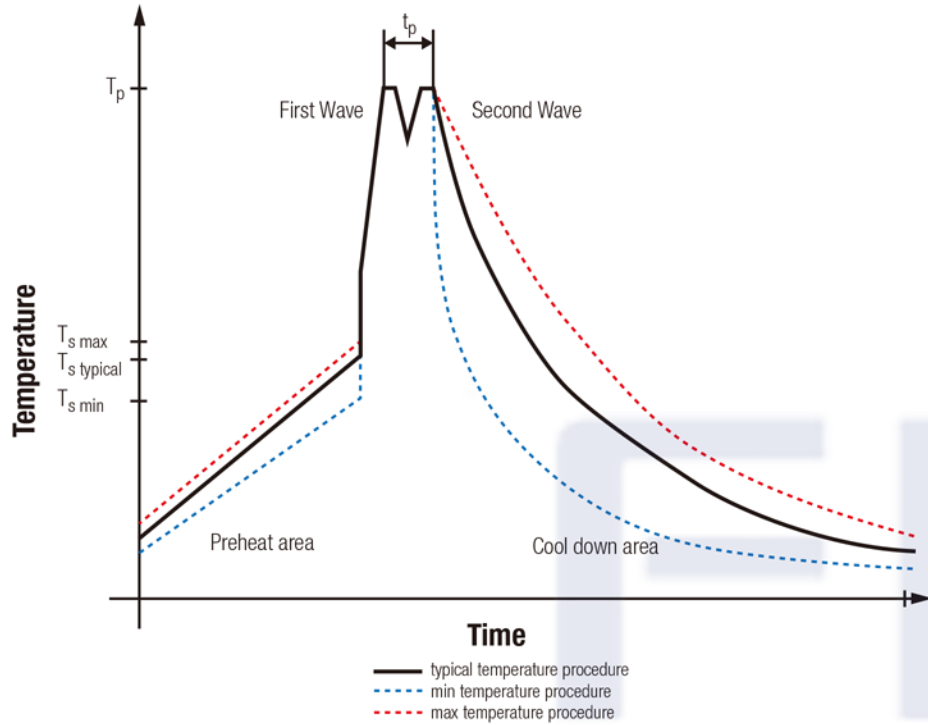
SIZE/TYPE

3XL

STATUS

Valid

### Classification Wave Soldering Profile:



### Classification Wave Soldering Profile:

Profile Feature		Pb-Free Assembly	Sn-Pb Assembly
Preheat Temperature Min	$T_{s \min}$	100 °C	100 °C
Preheat Temperature Typical	$T_{s \text{ typical}}$	120 °C	120 °C
Preheat Temperature Max	$T_{s \max}$	130 °C	130 °C
Preheat Time $t_s$ from $T_{s \min}$ to $T_{s \max}$	$t_s$	70 seconds	70 seconds
Ramp-up Rate	$\Delta T$	150 °C max.	150 °C max.
Peak Temperature	$T_p$	250 °C - 260 °C	235 °C - 260 °C
Time of actual peak temperature	$t_p$	max. 10 seconds max. 5 seconds each wave	max. 10 seconds max. 5 seconds each wave
Ramp-down Rate, Min		~ 2 K/ second	~ 2 K/ second
Ramp-down Rate, Typical		~ 3.5 K/ second	~ 3.5 K/ second
Ramp-down Rate, Max		~ 5 K/ second	~ 5 K/ second
Time 25 °C to 25 °C		4 minutes	4 minutes

refer to EN61760-1:2006

	DATE (YYYY-MM-DD)	GENERAL TOLERANCE	PROJECTION METHOD
	2019-04-08	DIN ISO 2768-1m	
<p>Shaanxi FKS Electronic Parts Import&amp;Export Co.,Ltd.          Address:Building B1,The West Cloud Valley, Fengxi New City,          Xixian New Area,Xianyang City,Shaanxi Province,China.          Tel:0086 29 8868 5333 Fax:0086 29 8868 0913  <a href="http://www.fks-tech.com">Http://www.fks-tech.com</a></p>	<b>Three Phase Common          Mode Power Line Choke</b>		ORDER CODE
			<b>FKS744833011180</b>
SIZE/TYPE			STATUS
3XL			Valid