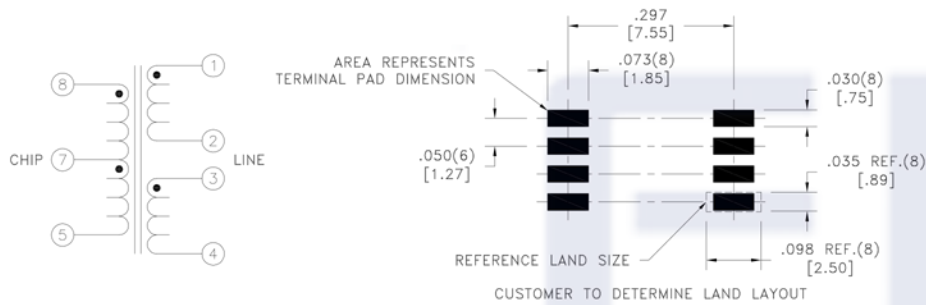
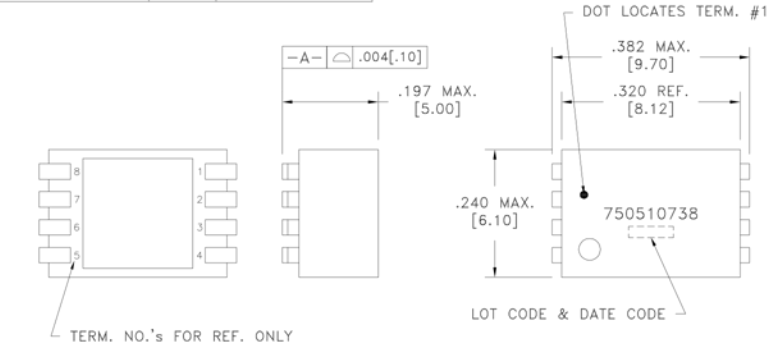


CUSTOMER TERMINAL	RoHS	LEAD(Pb)-FREE
Sn96%, Ag4%	Yes	Yes



ELECTRICAL SPECIFICATIONS @ 25°C unless otherwise noted:

PARAMETER	TEST CONDITIONS	VALUE
D.C. RESISTANCE	8-5 @20°C	0.145 ohms ±15%
D.C. RESISTANCE	1-2 @20°C	0.123 ohms ±15%
D.C. RESISTANCE	3-4 @20°C	0.129 ohms ±15%
INDUCTANCE	8-5 10kHz, 100mVAC, Ls	25.00uH min.
INTERWINDING CAPACITANCE	8-1 100kHz, 10mVAC, Cs	2.2pF typ., 5.0pF max.
INTERWINDING CAPACITANCE	8-3 100kHz, 10mVAC, Cs	2.2pF typ., 5.0pF max.
DIELECTRIC	8-1 tie(2+3), 1875VAC, 1 second	1500VAC, 1 minute
URNS RATIO	(3-4):(1-2)	1.25:1, ±1%
URNS RATIO	(3-4):(8-5)	1.25:1, ±1%
INSERTION LOSS	1M - 100M	-1.00typ., -1.70dB max.

GENERAL SPECIFICATIONS:

OPERATING TEMPERATURE RANGE: -40°C to 85°C.

Designed to comply with the following requirements as defined by IEC60950-1, EN60950-1, UL60950-1/CSA60950-1 and AS/NZS60950.1:
 - Supplementary insulation for a primary circuit at a working voltage of 265Vrms, 400Vpeak, Overvoltage Category II.

Designed to meet K.21, 6kV (10 x 700sec, 5± repetitions) surge test between CHIP and LINE.

Wire insulation & RoHS status not affected by wire color.
 Wire insulation color may vary depending on availability.

REV.	DATE	Packaging Specifications Method: Tape & Reel PKG-0771		Tolerances unless otherwise specified: Angles: ±1° Fractions: ±1/64 Decimals: ±.005 [.13] Footprint: ±.005 [.13]	DRAWING TITLE TRANSFORMER	PART NO. FKS750510738
6C	4/19					
6B	12/18					
6A	4/17			This drawing is dual dimensioned. Dimensions in brackets are in millimeters.	eiSos p/n: FKS750510738	compliant RoHS SPECIFICATION SHEET 1 OF 1