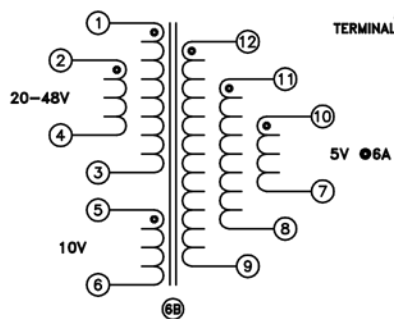
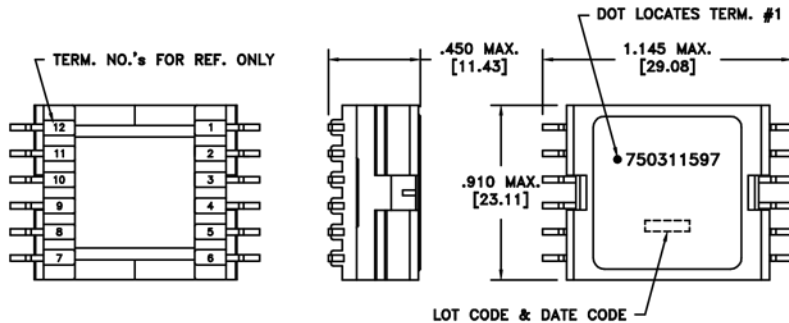
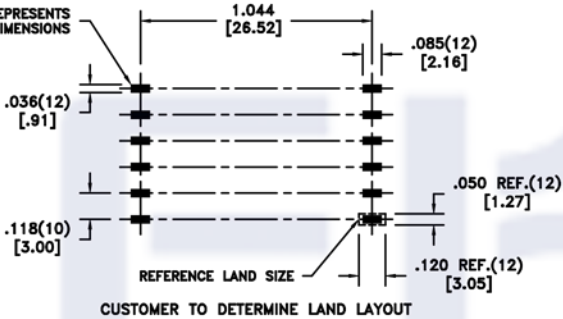


| | | |
|-------------------|------|---------------|
| CUSTOMER TERMINAL | RoHS | LEAD(Pb)-FREE |
| Sn96%, Ag4% | Yes | Yes |



Application of the transformer allows for the following groups of wires to solder bridge:
1&2, 3&4, 10&11&12 and 7&8&9.




ELECTRICAL SPECIFICATIONS @ 25°C unless otherwise noted:

| PARAMETER | TEST CONDITIONS | VALUE |
|--------------------|---|-------------------|
| D.C. RESISTANCE | 1-3 tie(1+2, 3+4), @20°C | 0.020 ohms max. |
| D.C. RESISTANCE | 7-12 tie(7+8+9, 10+11+12), @20°C | 0.004 ohms max. |
| D.C. RESISTANCE | 5-6 @20°C | 0.055 ohms max. |
| INDUCTANCE | 1-3 tie(1+2, 3+4), 150kHz, 100mVAC, Ls | 6.0uH ±10% |
| SATURATION CURRENT | 20% rolloff from initial | 9.50A |
| LEAKAGE INDUCTANCE | 1-3 tie(1+2, 3+4, 7+8+9+10+11+12), 150kHz, 10mVAC, Ls | 300nH typ. |
| DIELECTRIC | 1-12 tie(3+4+5, 7+8+9), 1875VAC, 1 second | 1500VAC, 1 minute |
| URNS RATIO | (1-3):(12-9) | 3:1, ±2% |
| URNS RATIO | (1-3):(11-8) | 3:1, ±2% |
| URNS RATIO | (1-3):(10-7) | 3:1, ±2% |
| URNS RATIO | (1-3):(5-6) | 1.5:1, ±1% |
| URNS RATIO | (1-3):(2-4) | 1:1, ±1% |

GENERAL SPECIFICATIONS:
OPERATING TEMPERATURE RANGE: -40°C to +125°C.

Wire insulation & RoHS status not affected by wire color.
Wire insulation color may vary depending on availability.

| | | | | | | |
|------|-------|---|---|---|-------------------------------------|---------------------------------|
| REV. | DATE | Packaging Specifications Method: Tape & Reel PKG-0647 |  | Tolerances unless otherwise specified: Angles: ±1° Decimals: ±.005 [.13] Fractions: ±1/64 Footprint: ±.005 [.13] | DRAWING TITLE TRANSFORMER | PART NO. FKS750311597 |
| 6B | 2/11 | | CONVENTION PLACEMENT | This drawing is dual dimensioned. Dimensions in brackets are in millimeters. | eiSos p/n: FKS750311597 | SPECIFICATION SHEET 1 OF 1 |
| 6A | 11/10 | SEE REVISION SHEET FOR REVISION LEVEL | | | | |