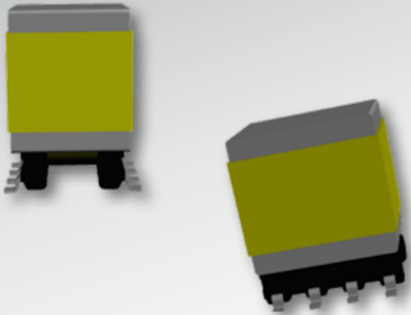


EPX7

8-Terminal, SMT, Horizontal



Characteristics

- Surface mount
- Pick & placeable
- Core direction: horizontal
- Basic/supplementary insulation

Applications

- PoE
- DC/DC converter
- Industrial controls
- White goods
- DSL
- Telecom
- CMC

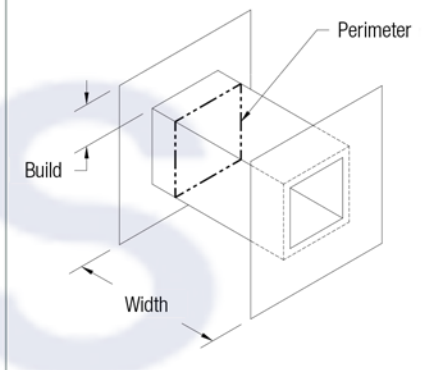
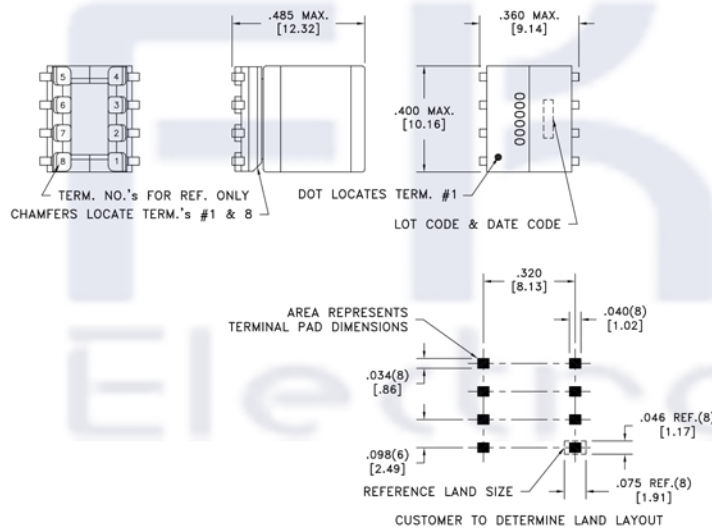
Core Data

Core Part Number	Area (A_c) (mm ²)	Path Length (L_p) (mm)	Volume (V_c) (mm ³)
150-1152	16.50	15.40	254.10

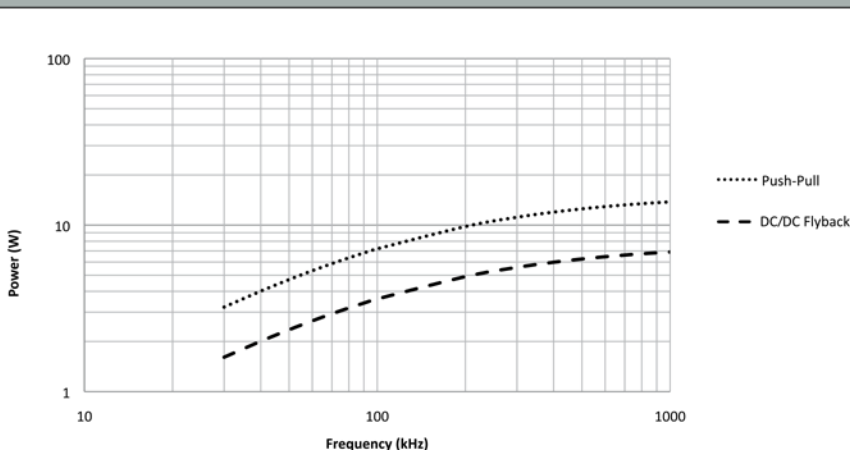
Bobbin Winding Area

Bobbin Part Number	Width (mm)	Build (mm)	Perimeter (mm)
070-4434	3.23	1.24	19.18

Dimensions & Footprint



Estimated Maximum Power Level



Models

- A** Altium Library
- E** Eagle Library
- S** STEP 3D Model
- I** IGS 3D Model
- W** WRL 3D Model