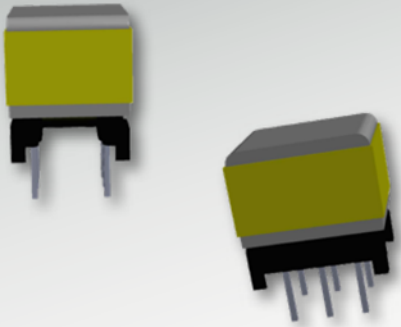


# EP7

## 6-Terminal, THT, Horizontal



### Characteristics

- Through-hole
- Core direction: horizontal
- Functional insulation

### Applications

- DC/DC converter
- Industrial controls
- White goods
- DSL
- Telecom
- CMC

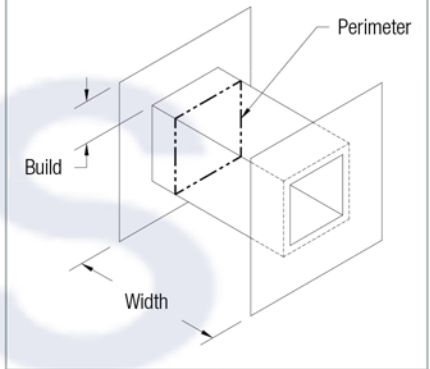
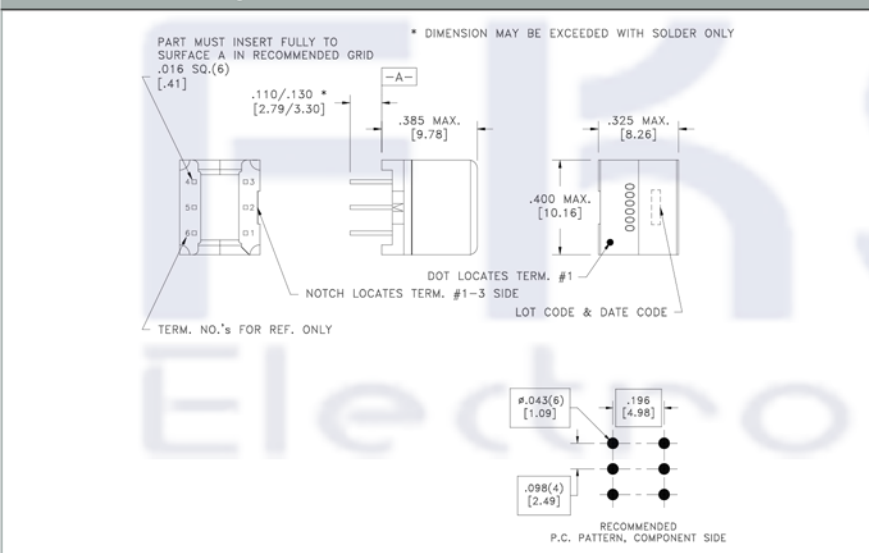
### Core Data

Core Part Number		Area ( $A_c$ ) (mm <sup>2</sup> )	Path Length ( $L_p$ ) (mm)	Volume ( $V_c$ ) (mm <sup>3</sup> )
Power: 150-2365	Digital: 150-0341	10.30	15.70	161.71

### Bobbin Winding Area

Bobbin Part Number	Width (mm)	Build (mm)	Perimeter (mm)
070-2150	3.68	1.14	14.20

### Dimensions & Footprint



### Models

- A** Altium Library
- E** Eagle Library
- S** STEP 3D Model
- I** IGS 3D Model
- W** WRL 3D Model

### Estimated Maximum Power Level

