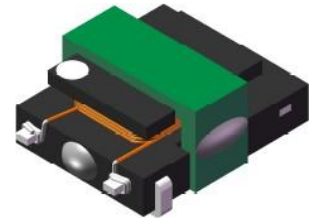


SMTEE4.6 SERIES

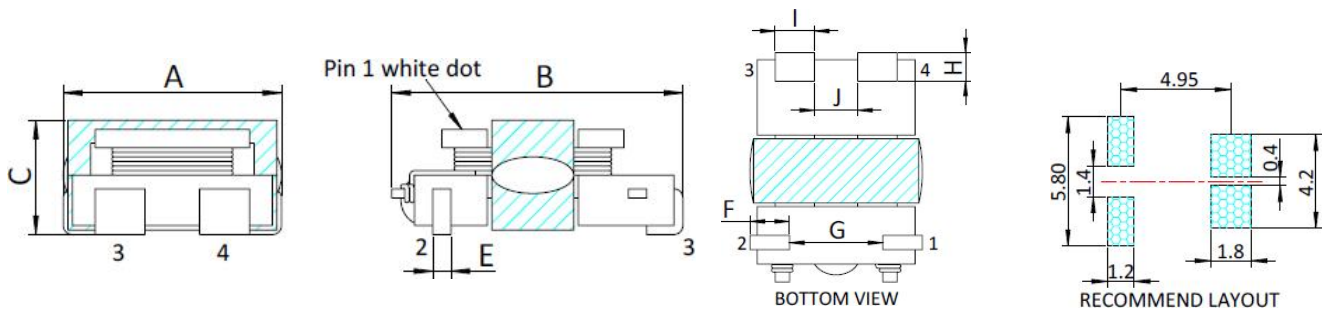
SMT CURRENT SENSE TRANSFORMERS

Applications :

- . Switching power supplies
- . feedback control
- . overload sensing.
- . Load drop/shut down detection



Shape and Dimensions (Dimensions are in mm) :



Item	A MAX.	B MAX.	C MAX.
SMTEE4.6	5.20	7.20	2.80

Item	E	F	G	H	I	J
SMTEE4.6	0.4	1.2	2.6	1.2	1.1	1.2

Features :

- . Very low DC resistance
- . Different turns ratios
- . Very small package
- . RoHS compatible.
- . 500Vrms,one minute isolation(hipot) between windings
- . Sensed Current – primary rated for 20 Amps..

Product Identification :

SMT EE 4.6- 50T -1T
1 2 3 4

- (1) Type : Surface Mountable Type.
- (2) Style : EE Core with , 4.6 is size..
- (3) Secondary Turn: 50Ts:
- (4) Primary Turn : 1Ts.

Characteristics :

- Primary current of 9A causes less than 40°C temperature rise from 25°C ambient. Higher current causes a greater temperature rise
- Operating temperature : -40°C to 125°C.
- Storage temperature Component: -40°C to +165°C
- Inductance measured between secondary pins at 100 kHz, 0.1 Vrms, 0 Adc

Test equipments :

- Inductance measured at 0Adc on HP 4284ALCR Meter or equivalent
- DCR measured on Chroma 16502 micro-ohmmeter or equivalent.
- Electrical specifications at 25°C.

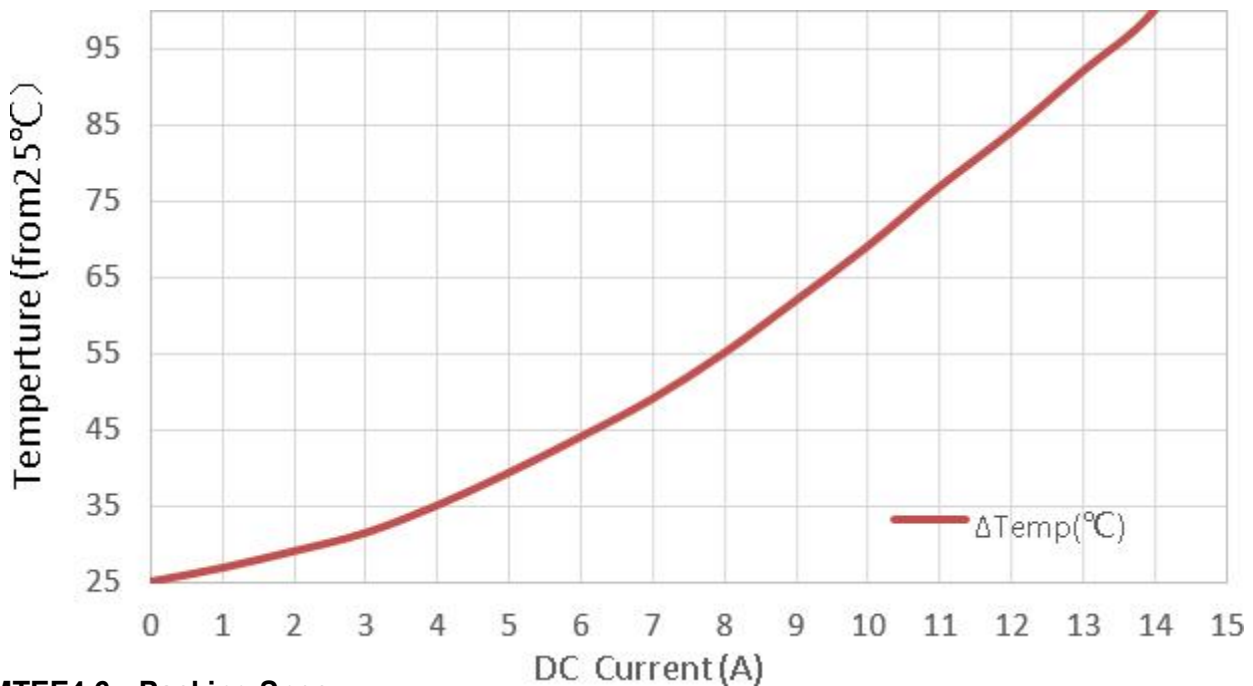
Measuring Frequency :

- SMTEE4.6 @50KHZ TO 1MHZ

● SMTEE4.6 series

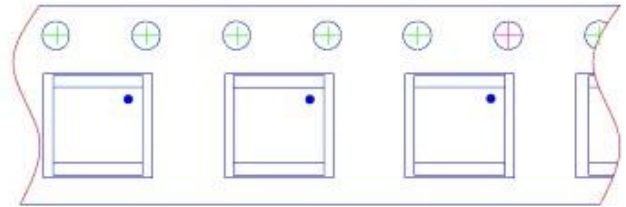
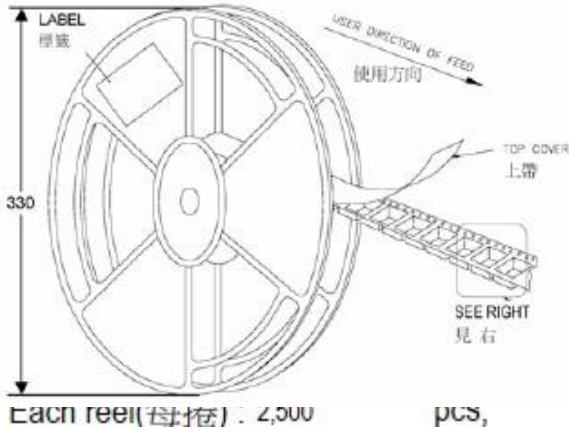
Part No.	Turns ratio sec:pri	Secondary Inductance @100KHZ0.1V (mH)MIN	DCR(Ω)		Sensed Current(A) (Max)
			Sec Max	Pri Ref	
SMTEE4.6-20T-1T	20:1	0.053	0.42	0.0015	9
SMTEE4.6-50T-1T	50:1	0.333	2.76	0.0015	9
SMTEE4.6-70T-1T	70:1	0.652	5.04	0.0015	9
SMTEE4.6-100T-1T	100:1	1.330	10.68	0.0015	9
SMTEE4.6-150T-1T	150:1	2.993	22.30	0.0015	9

● SMTEE4.6 Temp Rise vs Current :



● SMTEE4.6 Packing Spec:

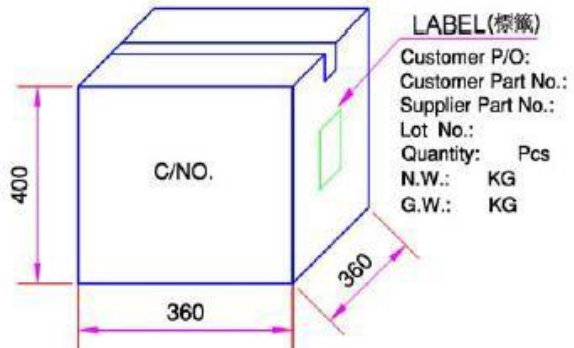
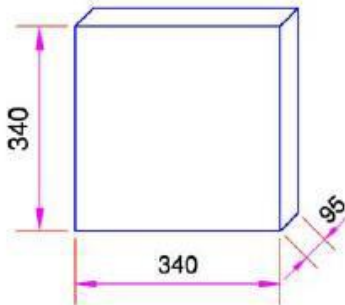
Inside Packaging: 5-REEL-330MM/EE4.6-351



Notes of inside packing :

- 1.起始空帶300mm Min ; 結尾空帶400mm Min
- 2.外包1Ts護帶.

Outside Packaging: 5-CT-340934.gif/5-CT-363640.gif



Small carton(內箱): 10,000 pcs; Outer carton(外箱): 40,000 pcs; NW.(淨重): KG; GW.(總重): KG